

# FLO-Press

FP

Hydraulic Ram Press

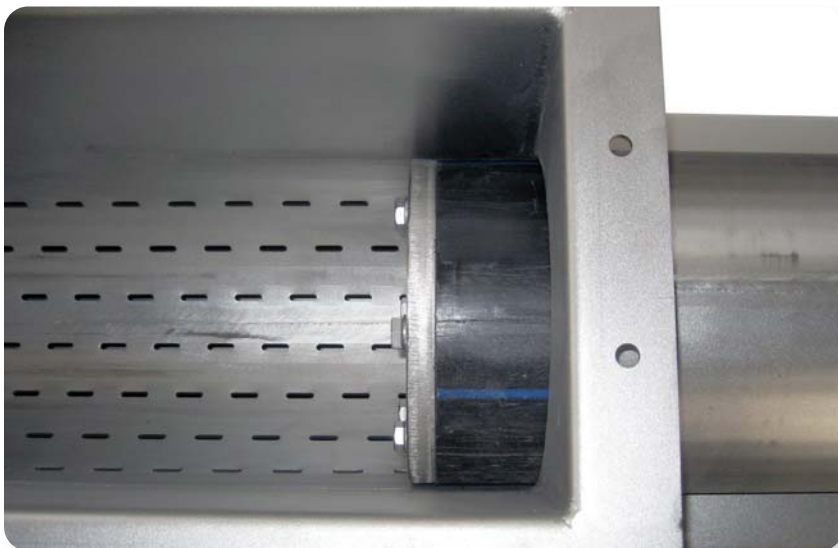
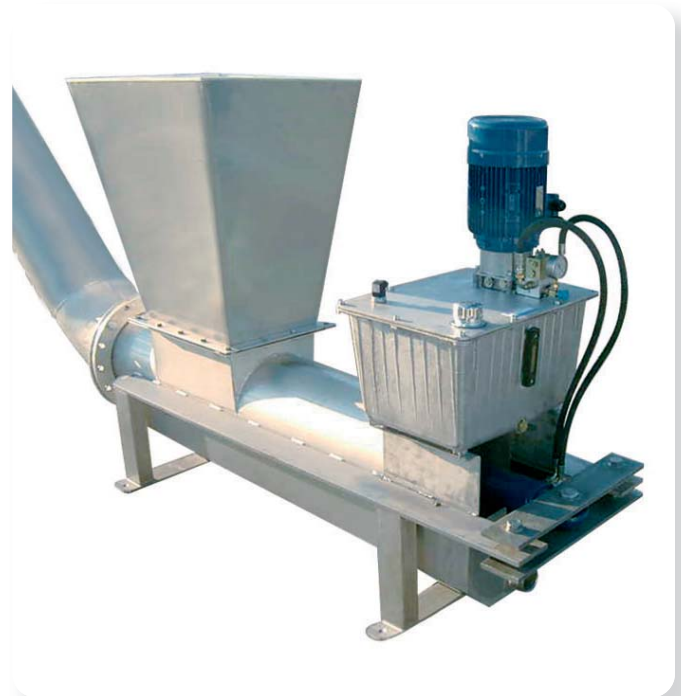
## Compact, Efficient Dewatering

The Flo-Press hydraulic ram press is a low profile dewatering press. This low profile design makes it easily adaptable for retrofit installations. Although the standard design shows the hydraulic power pack mounted on the unit, the power pack can also be mounted to the side of the unit or remotely which increases the installation options.

The Flo-Press unit has a compaction zone in which a hydraulically operated piston is used to apply pressure to the screenings. Screenings enter the dewatering press via a hopper positioned under the discharge point of a screen or via conveyor receiving screenings from several screens. As the screenings are compacted, liquid is forced out of the material and drains through slotted openings in the dewatering zone into a collection trough located beneath the compaction zone. From there the liquid is discharged back into the channel.

As the piston completes its dewatering cycle, the solids are forced into the discharge piping. Additional dewatering occurs as solids are moved through the pipe. Each subsequent batch of dewatered screenings moves the dewatered material further along in the pipe until it is discharged into a dumpster, bagger or conveyor.

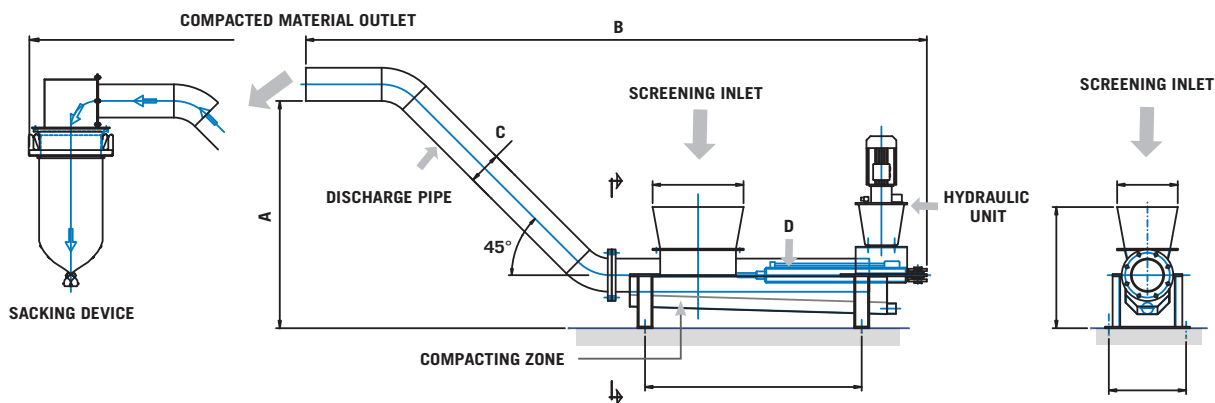
Solids dewatered with the Flo-Press are capable of passing the EPA Paint Filter Test which makes them acceptable to landfill. The volume reduction lowers disposal costs.



Piston with sleeve and slotted dewatering zone

## Features & Benefits

- 1 Principle of operation is a hydraulically driven ram** - Excellent volume reduction in a small footprint.
- 2 Volume reduction of 65% or more** - Significantly lower disposal costs.
- 3 Compact, low profile** - Designed for retrofit or new installations.
- 4 Piston is encased in a plastic sleeve** - Creates a seal against the piston housing.
- 5 Manual or automatic wash port into drain** - For periodic flushing of drainage area.
- 6 Unit dewateres and conveys** - Discharge piping conveys the dewatered solids to collection point.
- 7 Units with various capacities are available** - Volume based on customer needs.



## Specifications

		FP200	FP250	FP350
Capacity	ft <sup>3</sup> /hr	53	88	124
Volume reduction		65%		
Unit length	inches	161	161	177
Dewatering zone diameter	DN	200	250	350
Pressure	bar	80 / 120	80 / 120	80 / 120

## Materials of Construction

Compaction zone	AISI 304 SST
Ram	AISI 304 SST with polyethylene sleeve
Chutes	AISI 304 SST
Transport tubes	AISI 304 SST
Covers	AISI 304 SST
Supports	AISI 304 SST
Fasteners – covers & drive	AISI 304 SST (316 optional)
Fasteners – press supports	AISI 304 SST (316 optional)

## FLO-Products

Simply Superior Design

Enviro-Care has been manufacturing liquid/solid separation and solids reduction technology for the wastewater industry since 1972.

Many of these first units are still in service today. These unique products are engineered for high process efficiency, reduced maintenance and low energy consumption.

The Enviro-Care Flo-Products family is expanding. With the addition of new screens, MBR Pre-treatment systems, washing and dewatering options and complete septage receiving systems; Enviro-Care products can be found providing the same exceptional quality and cost-effective technology in more wastewater applications than ever before.

**Flo-Drum MBR** Pre-treatment Screen  
**Flo-Drum** Rotating Screen  
**Flo-DrumSieve** Externally-fed Rotating Drum Screen  
**Flo-GritWash** Grit Classifying and Washing System  
**Flo-Minutor** Solids Reduction Comminutor

**Flo-MultiRake** Coarse Bar Screen  
**Flo-MultiRake** Fine Bar Screen  
**Flo-MultiRake** Perforated Media Screen  
**Flo-Press** Hydraulic Ram Press  
**Flo-RotoDrum** Internally-fed Rotating Drum Screen  
**Flo-Screen** Bar Screen

**Flo-Screen XD** Extended Discharge Bar Screen  
**Flo-Sieve** Shaftless Spiral Screening Conveying, Washing and Dewatering System  
**Flo-Spiral** Shaftless Spiral Conveyor  
**Flo-Station** SR Septage Receiving System  
**Flo-WashPress** Washer Compactor



Enviro-Care is the exclusive licensee for SAVI S.R.L. technologies in North America.

5701 Industrial Avenue  
 Rockford, IL 61111  
 P. 815.636.8306 • F: 815.636.8302

ecsales@Enviro-Care.com  
 www.Enviro-Care.com

© 2012 Enviro-Care  
 Brochure FP-0212  
 Revision: A