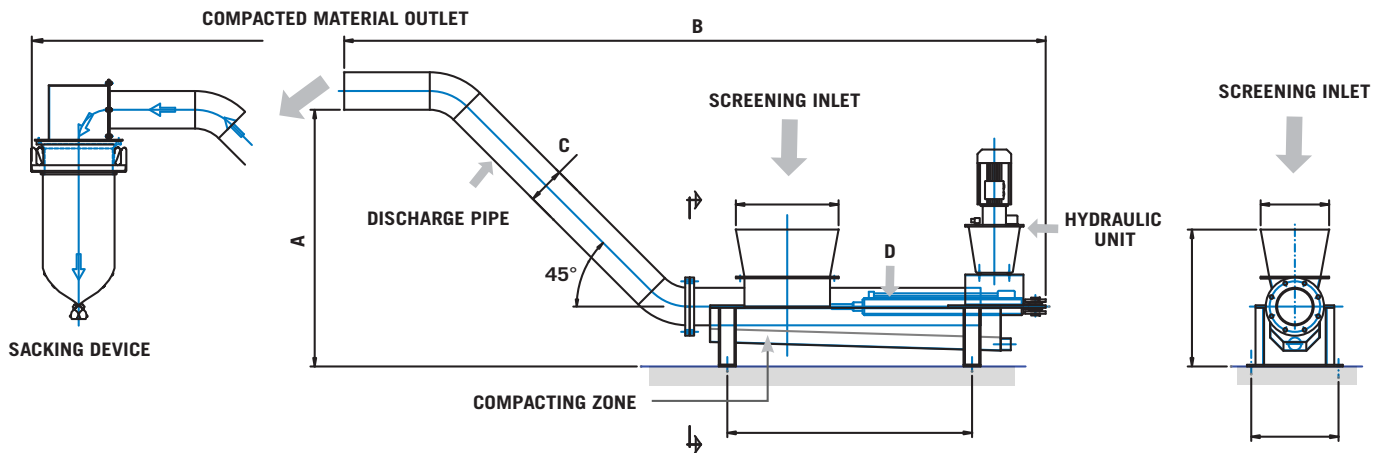


# FLO-Press

FP

Hydraulic Ram Press

## Specifications



### Specifications

		FP200	FP250	FP350
Capacity	ft <sup>3</sup> /hr	53	88	124
Volume reduction		65%		
Unit length	inches	161	161	177
Dewatering zone diameter	DN	200	250	350
Pressure	bar	80 / 120	80 / 120	80 / 120

### Materials of Construction

Compaction zone	AISI 304 SST
Ram	AISI 304 SST with polyethylene sleeve
Chutes	AISI 304 SST
Transport tubes	AISI 304 SST
Covers	AISI 304 SST
Supports	AISI 304 SST
Fasteners – covers & drive	AISI 304 SST (316 optional)
Fasteners – press supports	AISI 304 SST (316 optional)

Technical information subject to change without notice.

Enviro-Care is the exclusive licensee for SAVI S.R.L. technologies in North America.