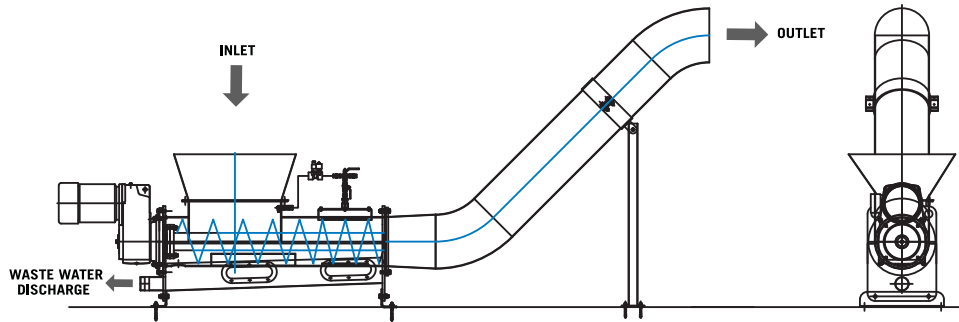


# FLO-WashPress

FWP

Washer Compactor

## Specifications



## Specifications

		FWP-1	FWP-2	FWP-3
Nominal tube size	DN	200	250	300
Capacity	CuFt	70	125	210
Volume reduction	%	>65%	>65%	>65%
Drive motor	Hp	5	5	7.5
Controls		NEMA 4x/7	NEMA 4x/7	NEMA 4x/7
Pressure	bar	5	5	5

## Materials of Construction

Covers	AISI 304 SST
Transport tube	AISI 304 SST
Chutes	AISI 304 SST
Fasteners	AISI 304 SST
Shafted screw	ST52-3 Alloy Steel (304/316 SST Optional)